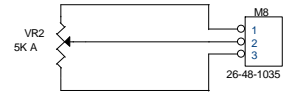
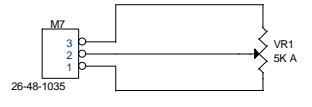
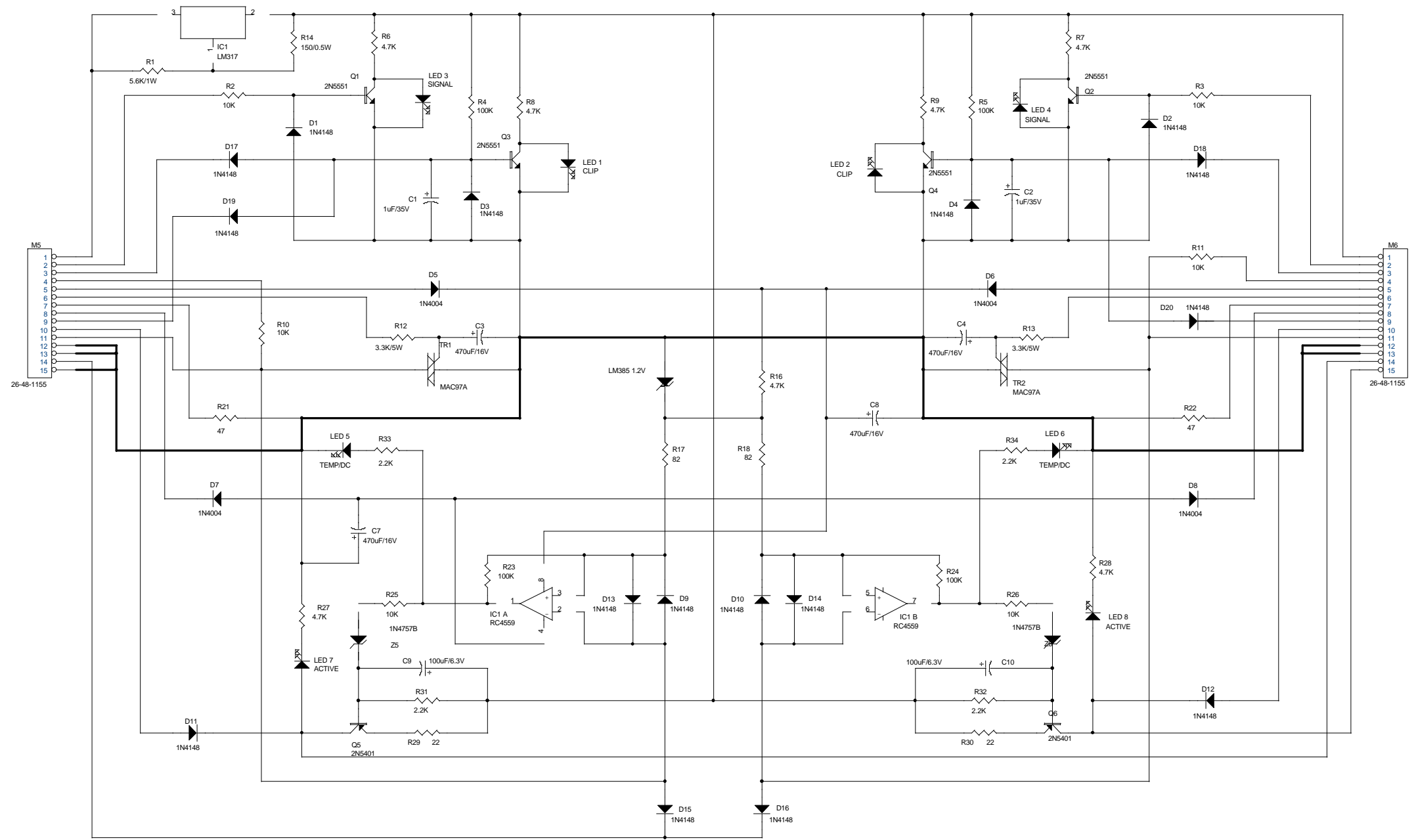


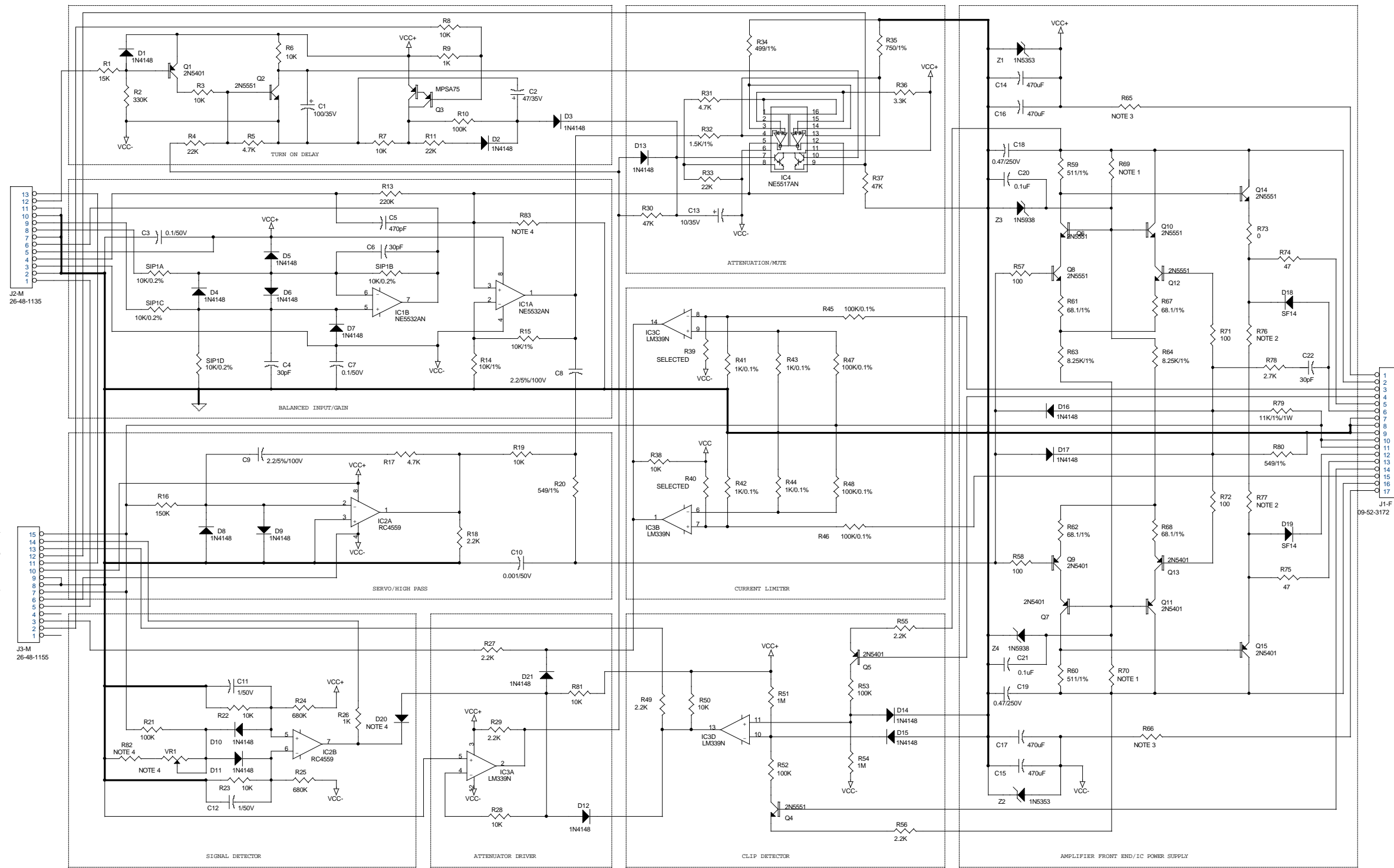


Schematic set

Pro Series 8001 power amplifiers

1. 8001 Display
2. 8001 Preamp
3. 8001 Relay board
4. 8001 Power supply
5. 8001 Output module





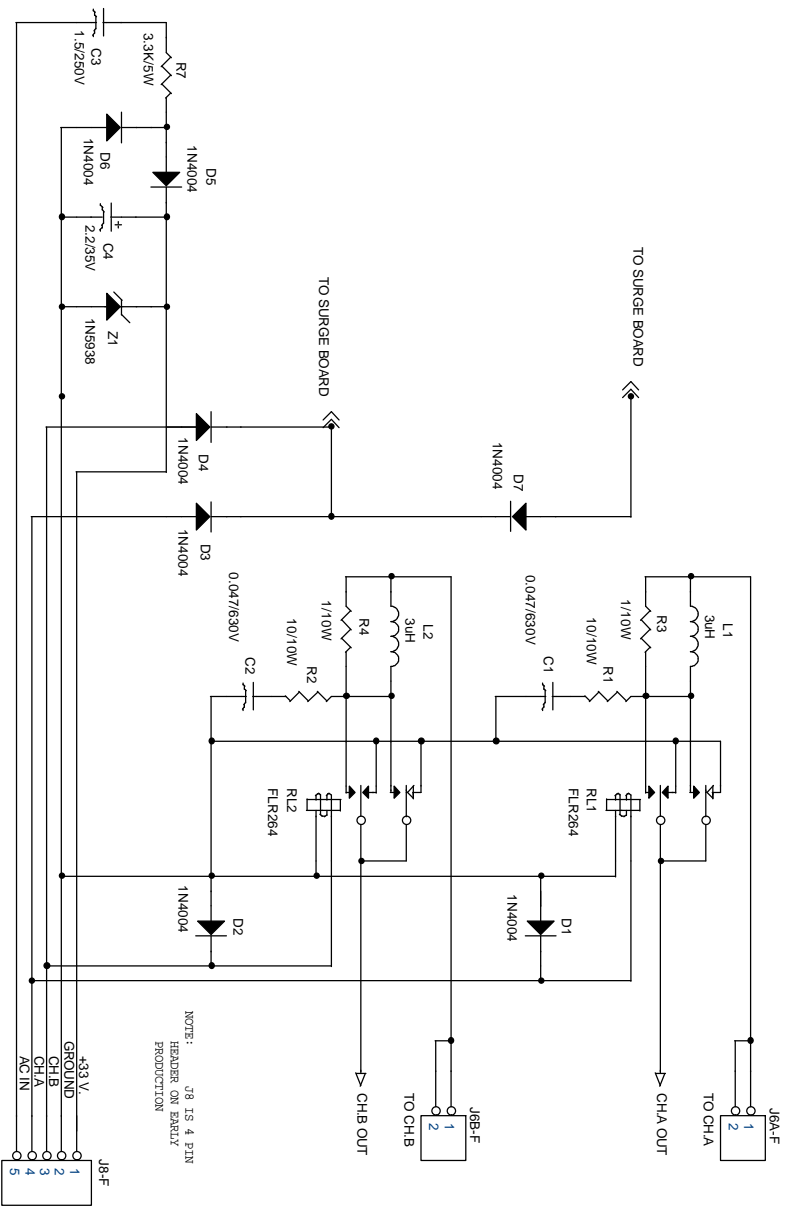
NOTE 1: 8.2K 2W ON MODELS 8001, 7001, CV601
 6.8K 2W ON MODELS 6001, 4801
 4.3K 2W ON MODEL 4601
 5.6K 2W ON MODELS CC301/300
 3.3K 2W ON MODELS CV301, CC151, 3301
 NOTE 2: 27K 2W ON MODELS 8001, 7001, CV601
 20K 2W ON MODELS 6001, 4801, CC301
 16K 2W ON MODEL 4601
 15K 2W ON MODELS CV301, CC151, 3301

NOTE 3: 750 10W ON MODELS 8001, CV601
 680 10W ON MODEL 7001
 620 10W ON MODEL 6001
 560 10W ON MODELS 4801, MA5850
 1.1K 10W ON MODEL 4601
 560 10W ON MODELS CC301
 1K 10W ON MODELS CV301, 3301
 360 10W ON MODEL CC151
 NOTE 4: R82, R83, D20, VR1 ARE USED ON MODEL MA5850 ONLY
 NOTE 5: PRIOR TO 6-2-92 R65, R66 WERE 1K/10W ON MODEL CC151

1.1K 10W ON MODEL 4601
 560 10W ON MODELS CC301
 1K 10W ON MODELS CV301, CC151, 3301
 NOTE 4: R82, R83, D20, VR1 ARE USED ON MODEL MA5850 ONLY

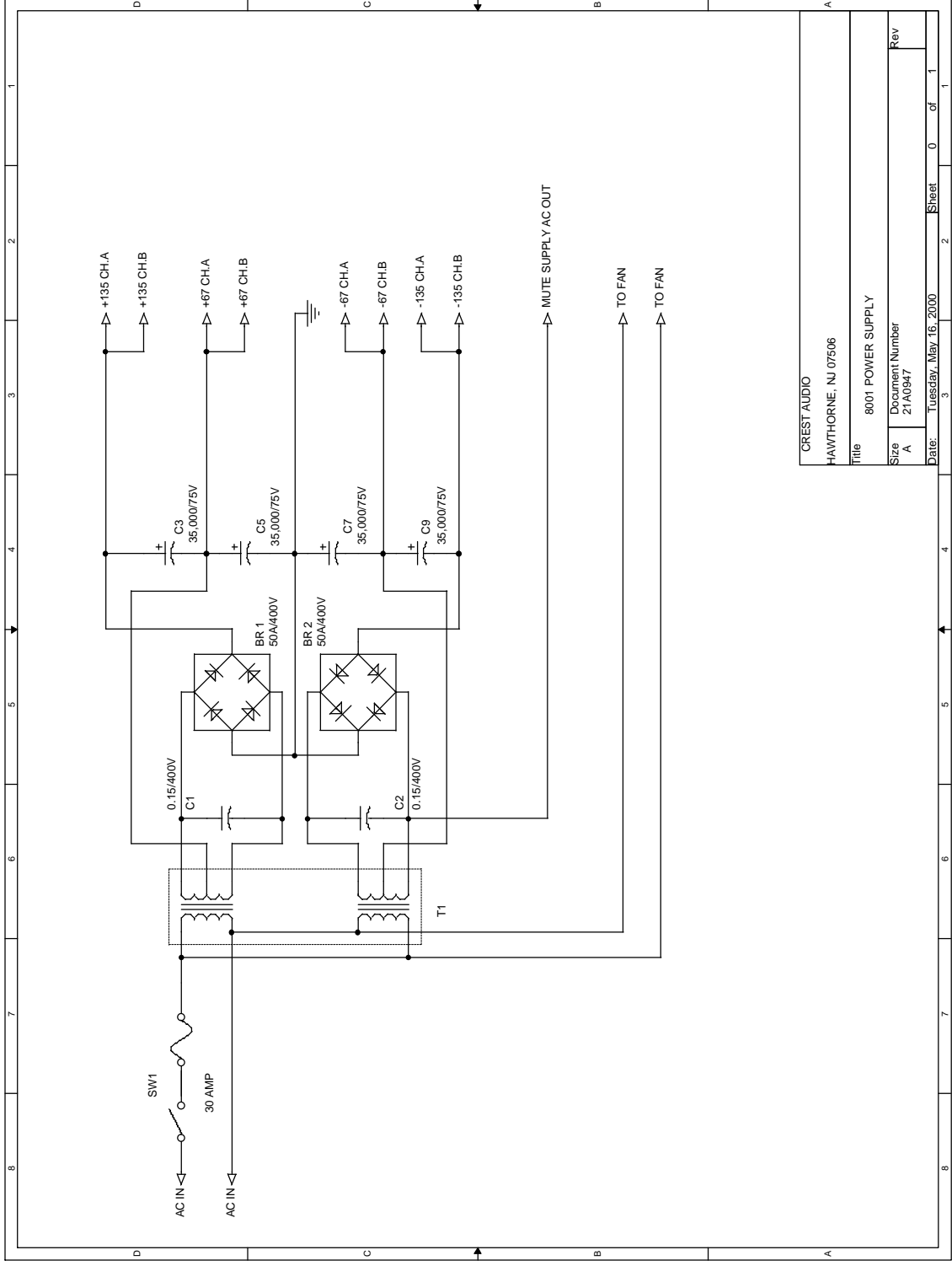
REV NOTES 7/15/93
 (1) DELETE R12

CREST AUDIO INC.		
150 Florence Ave. Hawthorne, NJ 07506		
Title		PRO-LINE PREAMP/FRONT END
Size	Document Number	Rev
C	21C1124-02	02
Date:	Wednesday, May 17, 2000	Sheet 1 of 0



NOTE:
 J8 IS 4 PIN
 HEADER ON EARLY
 PRODUCTION

CREST AUDIO INC.	
150 Florence Ave. Hawthorne, NJ 07906	
Title 8001 RELAY PCB	
Size A	Document Number 21A0095-00
Date: Tuesday, May 16, 2000	Sheet 1 of 1
Rev 00	



CREST AUDIO	
HAWTHORNE, NJ 07506	
Title 8001 POWER SUPPLY	
Size A	Document Number 21A0347
Date: Tuesday, May 16, 2000	Sheet 0 of 1

6

5

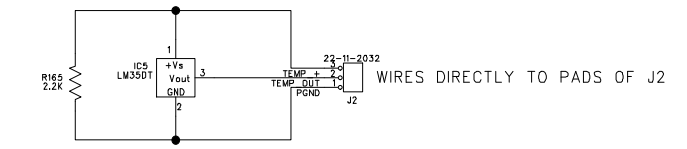
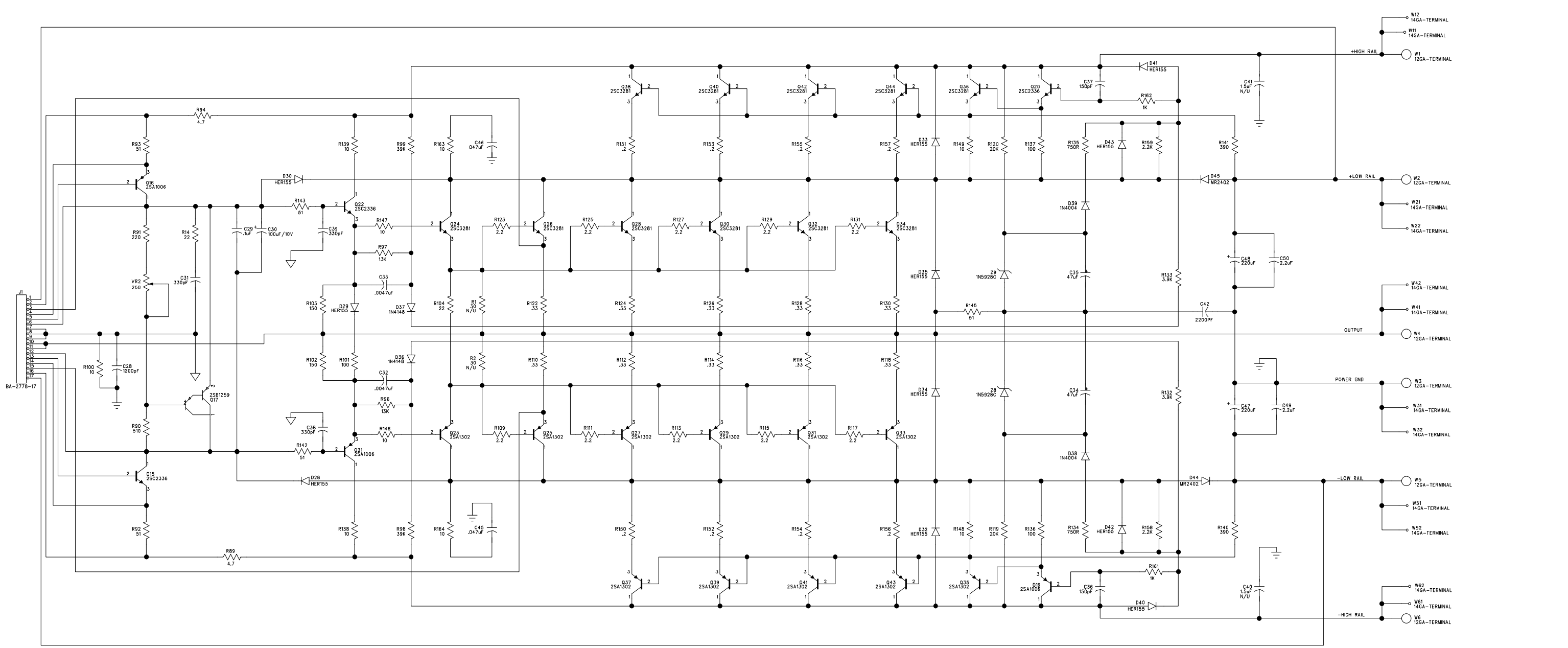
4

3

2

1

REVISION RECORD			
LTR	ECO NO:	APPROVED:	DATE:



CREST AUDIO

TITLE: **8001/CA12/PFA600 OUTPUT MODULE**

DRAWN: J.A.B.	DATED: 8/15/94	CODE:	SIZE: D	DRAWING NO: 4629-00	REV: 4
CHECKED:	DATED:	SCALE:	SHEET: 1	10F 2	1

RELEASED:	DATED:
QUALITY CONTROL:	DATED: